

## ELECTROMAGNETIC OVERBAND

OVBAP**SCOPE**

Electromagnetic overbands with aluminium winding, **OVBAPs** may be used on all bulk products, on conveyors, vibrating lines or chutes. They are intended for :

- **protecting** the plant against ferromagnetic parts,

- **refining** and **magnetic sorting**.

Their **power** enables them to work on **average and thick layers** of products with **variable particle size** and high ferrous parts content.

They are mainly installed in :

- sorting centres, incineration plants, and car crusher units,
- quarries, mines and cement works,
- the food - processing industry.

**TECHNICAL SPECIFICATIONS**

The magnetic circuit of an OVBAP consists of an **ASAP magnet**. This consists of a machine-welded yoke of high permeability, external pole and a steel central core, aluminium **winding** with reinforced insulation and a closed **non-magnetic box**.

The central pole extension spreads the magnetic field on the magnet sides.

The frame, consisting of two L steel sections, supports :

- the ASAP magnet,
- two rollers, convex machined, set on dustproof bearings,



- geared motor and discharge belt, fitted with cross lugs,
- belt tensioning system.

The belt speed is specified according to the characteristics of the product to be processed and the conveyor speed.

Two versions of the OVBAP are offered :

- Air cooled : **OVBAP-N**,
- Oil cooled : **OVBAP-NE**.

**INSTALLATION METHOD**

Suspended from chains, cables or straps, OVBAPs are fitted either **crossways** where the product unwinds, or **axially**, at the conveyor head.

Electric connections are made through terminal boxes.

**SPECIFICATIONS**

Performances vary according to various parameters :

- characteristics of the products to be processed,
- properties of the ferromagnetic parts to be extracted,
- characteristics of the plant.

**Eight** types of OVBAP in two different versions are offered according to :

- working height :

210, 290, 370, 440, 520, 630, 750, 850 mm.

- cooling method : **N** ou **NE**.

**THE ADVANTAGES**

**Reliability and performance** are provided by the simple design.

**Uniformity of the magnetic field** over the working area is guaranteed.

Closed magnet body guarantees water proofness (N and NE). In NE version, **thermal distribution and dissipation** is provided by an oil bath. They are fitted with a safety valve and may be prepared for use in the tropics.

Maintenance is made easy by having:

- a steel bearing cover,
- drum shafts fitted on removable hubs,
- non-magnetic **refuse flap** fixed on the upstream side, when fitted crossways,
- original tensioning system to install an endless belt.

The covers are in conformity with CE standards.

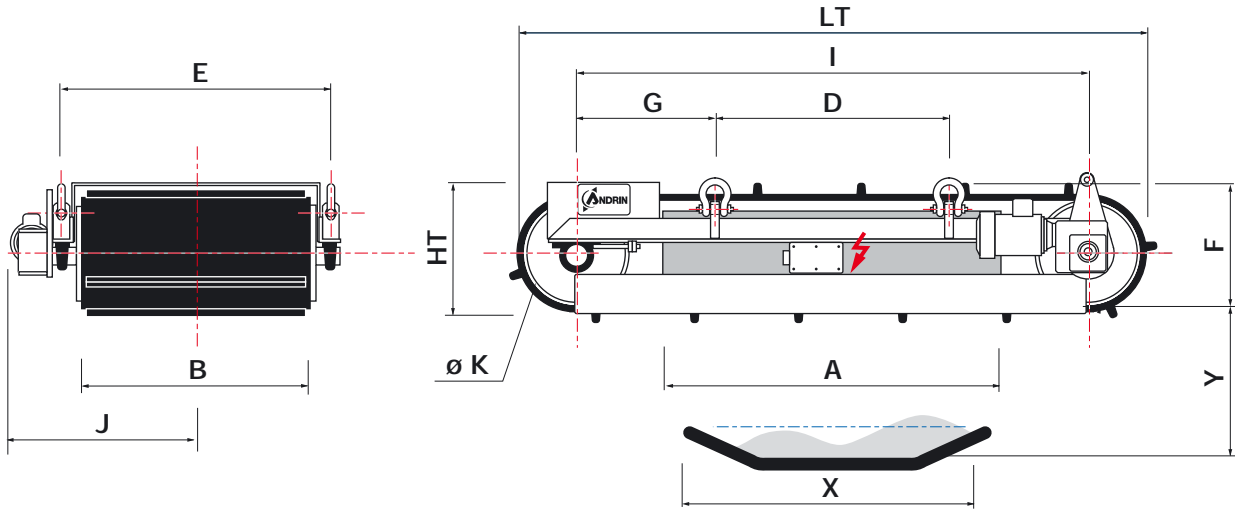
**INSTRUCTIONS FOR USE**

Maintenance and upkeep are **minimal** and are carried out on the moving parts of the **OVBAP**. Changing the belt or drum is very quick and easy by virtue of its design.

## TECHNICAL FEATURES

### OVBAP

Nous assurons le SAV toutes marques et tous types d'appareils .



TYPE	Type N	Type NE	Magnet power W	Voltage V	Motor power KW	Type Encl- RTMV	Dimensions (mm)											Conveyor (mm)		
	Weight Kg	Weight Kg					A	B	D	E	F	G	I	J	K	HT	LT	Trans X	Centr Y	
65 / 40	1300	1330	2200	110/220	2,2	TRC 5	830	650	600	890	520	427	1455	740	450	600	2021	500	800	290
65 / 60	1500	1540	2600	—	—	—	1030	—	800	—	—	—	1655	—	—	—	2221	700	—	—
65 / 80	1700	1750	3000	—	—	—	1230	—	1000	—	—	—	1855	—	—	—	2421	900	—	—
65 / 100	1900	1960	3400	—	—	—	1430	—	1200	—	—	—	2055	—	—	—	2621	1100	—	—
65 / 120	2100	2170	3800	—	—	—	1630	—	1400	—	—	—	2255	—	—	—	2821	1300	—	—
80 / 40	1650	1700	2671	110/220	2,2	—	930	800	500	960	520	527	1555	740	450	600	2121	600	1000	370
80 / 60	1880	1950	3246	—	—	—	1130	—	700	—	—	—	1755	—	—	—	2321	800	—	—
80 / 80	2130	2210	3855	—	—	—	1330	—	900	—	—	—	1955	—	—	—	2521	1000	—	—
80 / 100	2370	2370	4410	—	—	—	1530	—	1100	—	—	—	2155	—	—	—	2721	1200	—	—
80 / 120	2650	2870	4993	—	—	—	1730	—	1300	—	—	—	2355	—	—	—	2921	1400	—	—
80 / 140	2910	3040	5570	—	—	TRC 12	1930	—	1500	—	—	—	2555	—	—	—	3121	1600	—	—
100 / 60	2510	2600	4416	110/220	2,2	TRC 5	1250	1000	800	1160	520	595	1990	840	450	600	2556	800	1200	440
100 / 80	2850	2950	5107	—	—	TRC 12	1450	—	1000	—	—	—	2190	—	—	—	2796	1000	—	—
100 / 100	3190	3320	5821	—	—	—	1650	—	1200	—	—	—	2390	—	—	—	2956	1200	—	—
100 / 120	3530	3680	6515	—	—	—	1850	—	1400	—	—	—	2590	—	—	—	3156	1400	—	—
100 / 140	3860	4030	7233	—	—	—	2050	—	1600	—	—	—	2790	—	—	—	3356	1600	—	—
100 / 160	4200	4380	7926	—	—	—	2250	—	1800	—	—	—	2990	—	—	—	3556	1800	—	—
120 / 60	3380	3520	5641	110/220	4,0	—	1380	1200	700	1380	581	705	2110	940	450	600	2680	800	1400	520
120 / 80	3800	3950	6472	—	—	—	1580	—	900	—	—	—	2310	—	—	—	2880	1000	—	—
120 / 100	4250	4420	7274	—	—	—	1780	—	1100	—	—	—	2510	—	—	—	3080	1200	—	—
120 / 120	4680	4870	8070	—	—	—	1980	—	1300	—	—	—	2710	—	—	—	3280	1400	—	—
120 / 140	5100	5300	8906	—	—	—	2180	—	1500	—	—	—	2910	—	—	—	3480	1600	—	—
120 / 160	5540	5760	9712	—	—	—	2380	—	1700	—	—	—	3110	—	—	—	3680	1800	—	—
120 / 180	5970	6210	10539	—	—	—	2580	—	1900	—	—	—	3310	—	—	—	3880	2000	—	—
140 / 80	5750	5940	8044	110/220	4,0	—	1740	1400	900	1580	712	735	2470	1090	552	690	3140	1000	1600	630
140 / 100	6280	6480	8998	—	—	—	1940	—	1100	—	—	—	2670	—	—	—	3340	1200	—	—
140 / 120	6510	7020	9925	—	—	—	2140	—	1300	—	—	—	2870	—	—	—	3540	1400	—	—
140 / 140	7330	7600	10780	—	—	—	2340	—	1500	—	—	—	3070	—	—	—	3740	1600	—	—
140 / 160	7870	8170	11732	—	—	—	2540	—	1700	—	—	—	3270	—	—	—	3940	1800	—	—
140 / 180	8400	8720	12686	—	—	TRC 19	2740	—	1900	—	—	—	3570	—	—	—	4140	2000	—	—
140 / 200	8930	9270	13585	—	—	—	2940	—	2100	—	—	—	3770	—	—	—	4340	2200	—	—
160 / 120	7800	8810	11929	110/220	5,5	TRC 12	2300	1600	1600	1780	712	775	3150	1230	552	690	3820	1400	1800	750
160 / 140	8500	8830	12456	—	—	TRC 19	2500	—	1800	—	—	—	3350	—	—	—	4020	1600	—	—
160 / 160	9100	9470	13484	—	—	—	2700	—	2000	—	—	—	3550	—	—	—	4220	1800	—	—
160 / 180	9800	10230	14474	—	—	—	2900	—	2200	—	—	—	3750	—	—	—	4420	2000	—	—
160 / 200	10900	10870	19420	—	—	—	3100	—	2400	—	—	—	3950	—	—	—	4620	2200	—	—
180 / 160	10900	11400	15182	110/220	5,5	—	2840	1800	2100	1980	712	795	3690	1330	592	690	4360	1800	2000	850
180 / 180	11700	12300	16201	—	—	—	3040	—	2300	—	—	—	3890	—	—	—	4560	2000	—	—
180 / 200	12900	13000	17430	—	—	—	3240	—	2500	—	—	—	4090	—	—	—	4760	2200	—	—

Other sizes are available. Contact our technical staff.

#### OPTIONS

- Endless belt  
Hot hardening without clips

- Suspension frame
- Finish for food industries
- Explosion-proof

- Electrical power and control equipment
- Specific DC voltage

